

DPSS-473-H

BLUE LASERS: 473 nm, 200~600 mW



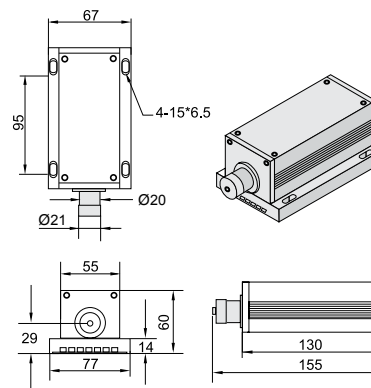
- High power blue laser
- Easy use & maintenance free
- Longlife operation
- High efficiency
- High reliability

SPECIFICATIONS

Wavelength	473 nm
Spatial Mode	near TEM ₀₁
Output Power	>200, 300, ..., 600 mW
Residual IR (1064, 808, 946 nm etc)	<0.01%
Operation Mode	CW or Modulation
Modulation	0~10 kHz Analog or TTL
Linewidth	<0.1 nm
Polarization	Linear
Beam Spot Shape	Circular, aspect ratio <1.1 : 1
Pointing Stability	<0.05 mrad
Beam Diameter (1/e ²)	3 mm
Beam Divergence	1.5 mrad
Beam Height from Base	29 mm
Power Stability	<±5% per 2 hrs
Temperature Stabilizing	TEC
Warm Up Time	<5 minutes
Beam Quality (M ²)	<2
Optimum Operating Temperature	20~30 °C
Storage Temperature	10~50 °C
Expected Lifetime	10,000 hrs
Laser Head Dimensions	77(W) × 155(L) × 60(H) mm
POWER SUPPLY	
OEM type EO-PS-NI	70(W) × 100(L) × 55(H) mm AC/DC PSU: 85~265 V 50/60 Hz input
Lab type EO-PS-F	238(W) × 146(L) × 94(H) mm 85~265V 50/60 Hz input

ORDERING INFORMATION

Catalogue number	Description
DPSS-473-H200	200 mW
DPSS-473-H300	300 mW
DPSS-473-H400	400 mW
DPSS-473-H500	500 mW
DPSS-473-H600	600 mW
EO-PS-NI	OEM type power supply
EO-PS-F	Lab type power supply



DPSS-473-H

RELATED PRODUCTS

Laser Safety Eyewear
See page 1.16.



POWER SUPPLIES

- OEM power supply **EO-PS-NI**
- Lab type power supply **EO-PS-F**

